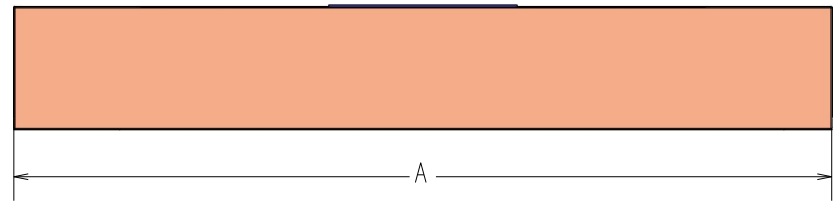
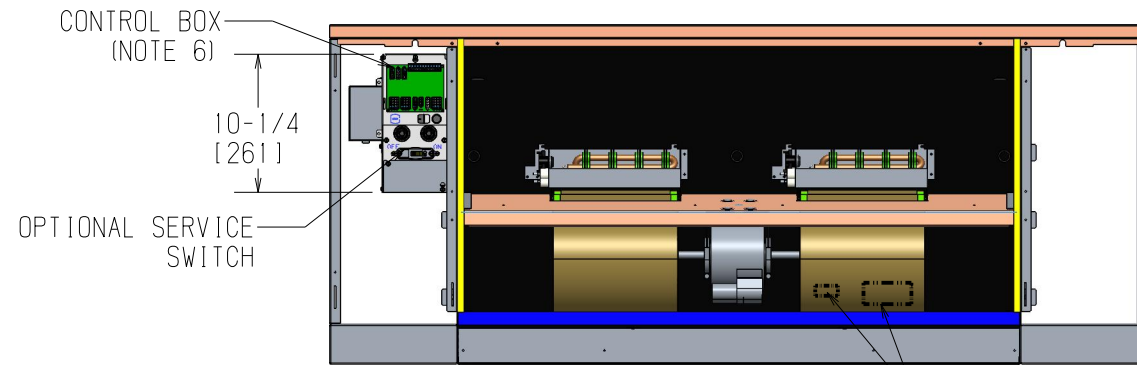


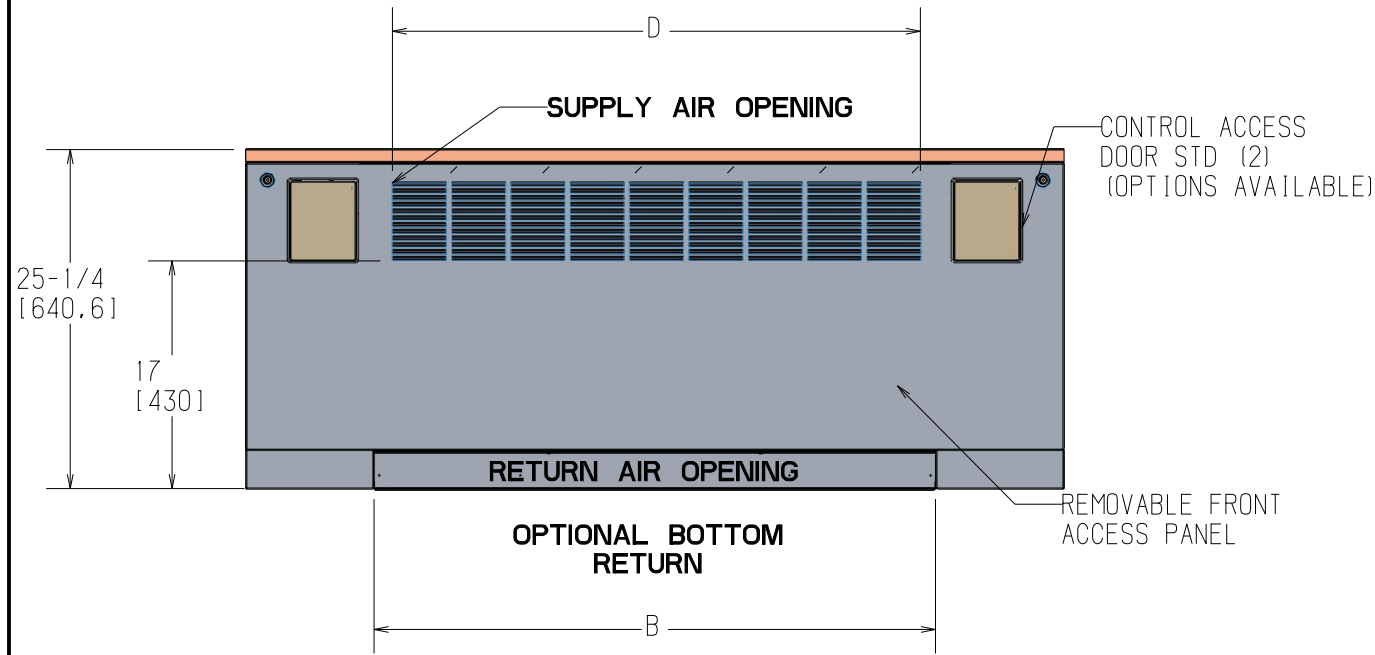
REVISION HISTORY		
REV	DATE	ECN
-	04/29/17	17-0554
A	07/16/22	22-0654



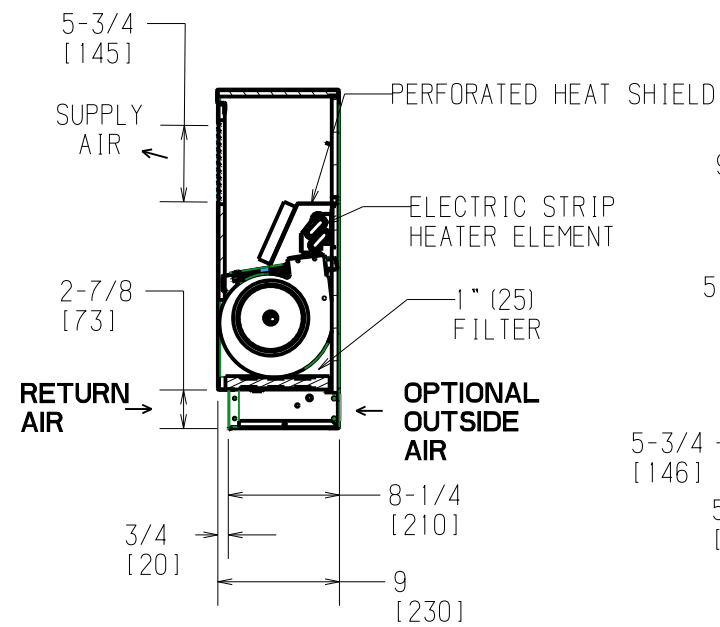
TOP VIEW



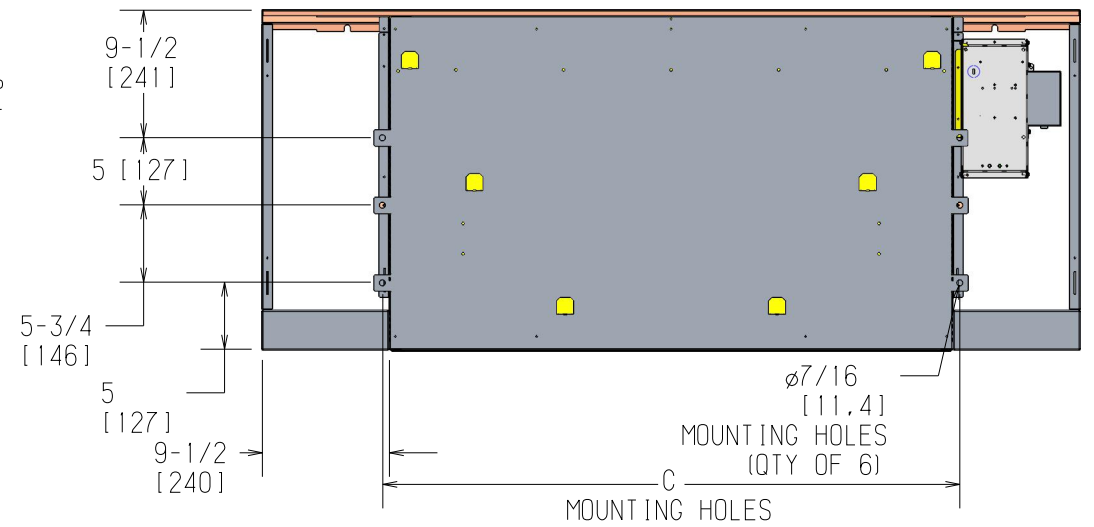
**FRONT VIEW
(WITHOUT ACCESS PANEL)**



FRONT VIEW



RIGHT SIDE VIEW



REAR MOUNTING VIEW

- NOTES:
1. LH CONTROLS SHOWN, RH OPPOSITE.
 2. ALL DIMENSIONS ARE +/- .25 (6). DRAWING NOT TO SCALE.
 3. PRODUCT SPECIFICATIONS ARE SUBJECT TO CHANGE WITHOUT NOTICE.
 4. CONTROL BOX SIZE AND POSITION MAY VARY (CONSULT FACTORY)
 5. POSITION MAY VARY.
 6. SERVICE ACCESS IS LOCATED ON THE FRONT OF THE CONTROL BOX.
 7. KNOCKOUTS ON THE BOTTOM AND SIDE OF THE CONTROL BOX FOR INCOMING POWER CONNECTIONS

Unit Model	Dimensions - Inches (Millimeters)				Quantity/Unit	
	A	B	C	D	BLWR	MOTOR
GXY 02	41 (1041)	22 (559)	23 (584)	17-1/4 (438)	1	1
GXY 03	45 (1143)	26 (660)	27 (686)	21-1/2 (546)	1	1
GXY 04	51 (1295)	32 (813)	33 (838)	26 (660)	2	1
GXY 06	61 (1549)	42 (1067)	43 (1092)	39-1/4 (997)	2	1
GXY 08	63 (1600)	44 (1118)	45 (1143)	39-1/4 (997)	2	1
GXY 10	77 (1956)	58 (1473)	59 (1499)	52-1/2 (1334)	4	2
GXY 12	85 (2159)	66 (1676)	67 (1702)	61-1/4 (1556)	4	2



TITLE			
VERT CUH CABINET FRNT SPLV ELEC HEAT			
DWC NO			REV
1100-90044037			A
DRAWN	DATE	APPROVED	DATE
K.LIETZ	03/20/12	J.GRAVES	03/20/12